

VAC BAS E6 C MT

CLUB Tap Range Club Basin Mixer Eco6 with Metal Heads Chrome



Specification

Product Type:	Bathroom Taps
Main Construction Material:	Brass
Mount Type:	Deck Mounted
Handle Type:	Handwheel Handles
Connection Inlet:	M10 x 400mm flexible connection pipes
Connection Outlet:	M24 Flow Straightener
Number of Tap Holes:	1
Valve/Cartridge Type:	40mm Ceramic Cartridge
Plumbing System Requirements:	Suitable for all plumbing systems
Minimum Dynamic Pressure:	0.2 Bar
Maximum Dynamic Pressure:	5.0 Bar
Maximum Hot Water Temperature: °C	65
Maximum Static Pressure: (bar)	10
Flow Type:	Single
Isolation Included:	No

Features:

- Supplied with metal handles
- Supplied with metal fixing nut
- Chrome plated to BS EN 248

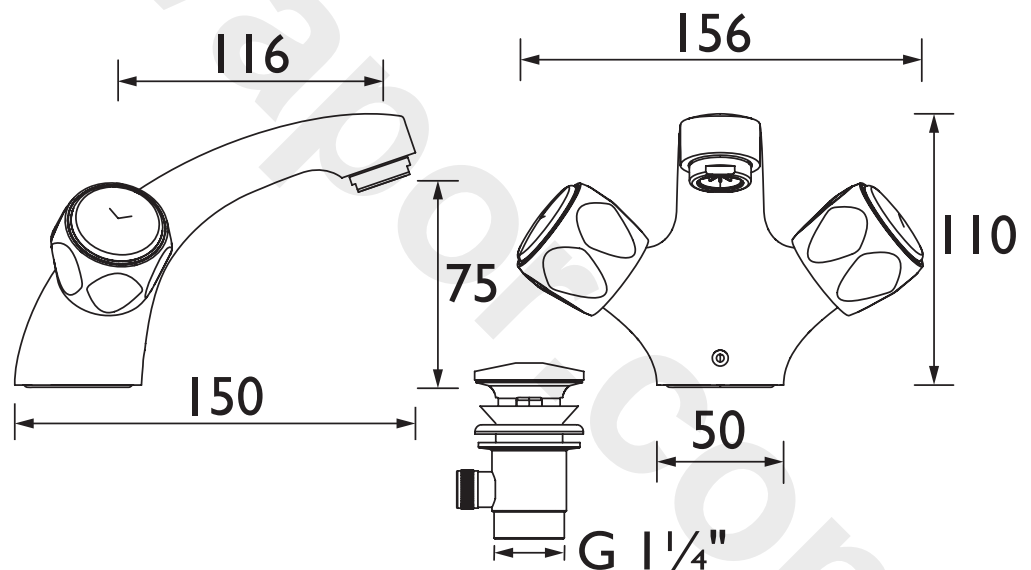
Product Certifications:



WRAS Cert. Number: 1906903
WRAS Expiry Date: 30/06/2019



Dimensions (measurements in mm)



Flow Rates (l/min)

System Pressure (bar)	0.2	0.5	1	2	3	5
VAC BAS E6 C MT	6	6	6	6	6	6

TECHNICAL
DATA
SHEET



BRISTAN

D5